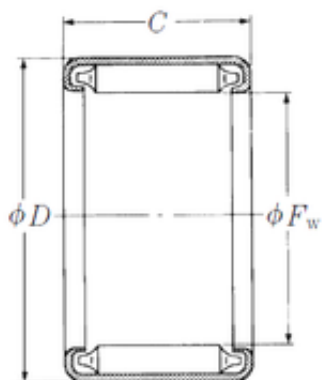




BEARING USA CORP.

NSK B-218 needle roller bearings



Bearing No. B-218

Size	33.338x41.275x12.7 mm
Bore Diameter	33,338 mm
Outer Diameter	41,275 mm
Width	12,7 mm
Fw	33,338 mm
D	41,275 mm
C	12,7 mm
Weight	0,032 Kg
Basic dynamic load rating (C)	18,3 kN

B-218 Bearing 2D drawings and 3D CAD models