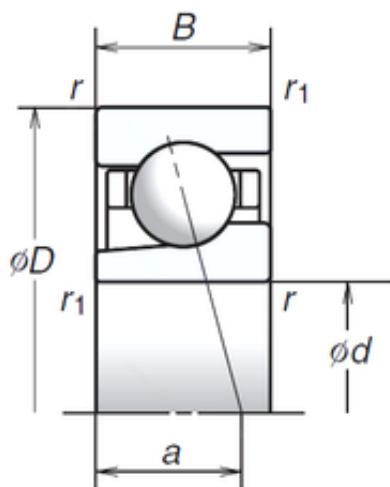




BEARING USA CORP.



25 mm x 47 mm x 12 mm NSK 25BGR10H
angular contact ball bearings

Bearing No. 25BGR10H

Size	25x47x12 mm
Bore Diameter	25 mm
Outer Diameter	47 mm
Width	12 mm
d	25 mm
D	47 mm
B	12 mm
C	12 mm
Angle (°)	15 °
a	10,8 mm
r min.	0,6 mm
r1 min.	0,3 mm
Weight	0,068 Kg
Basic dynamic load rating (C)	7,9 kN
Basic static load rating (C0)	3,75 kN
(Grease) Lubrication Speed	52 800 r/min
(Oil) Lubrication Speed	77 800 r/min

25BGR10H Bearing 2D drawings and 3D CAD models