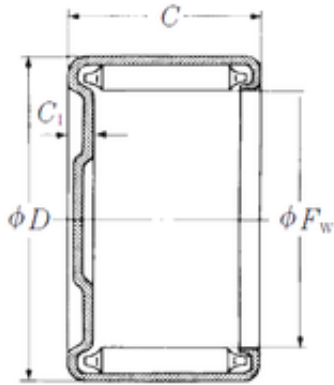




# BEARING USA CORP.

## NSK M-20121 needle roller bearings



Bearing No. M-20121

Size	31.75x38.1x19.05 mm
Bore Diameter	31,75 mm
Outer Diameter	38,1 mm
Width	19,05 mm
Fw	31,75 mm
D	38,1 mm
C	19,05 mm
C2	2,3 mm
Weight	0,045 Kg
Basic dynamic load rating (C)	27,7 kN

M-20121 Bearing 2D drawings and 3D CAD models