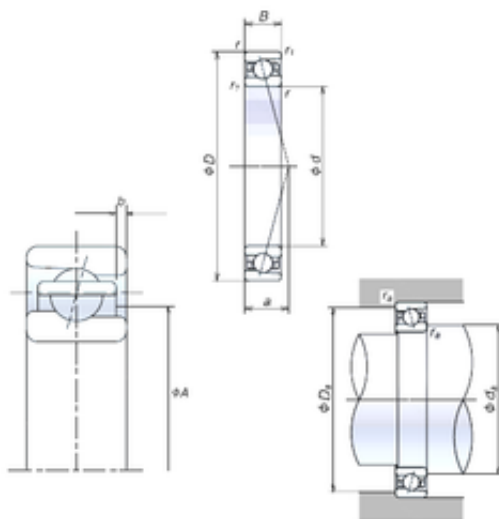




BEARING USA CORP.

80 mm x 125 mm x 22 mm NSK 80BNR10X
angular contact ball bearings

Bearing No. 80BNR10X



80BNR10X Bearing 2D drawings and 3D CAD models

| | |
|-------------------------------|--------------|
| Size | 80x125x22 mm |
| Bore Diameter | 80 mm |
| Outer Diameter | 125 mm |
| Width | 22 mm |
| d | 80 mm |
| D | 125 mm |
| B | 22 mm |
| C | 22 mm |
| Angle (°) | 18 ° |
| a | 27,5 mm |
| b | 1,7 mm |
| r min. | 1,1 mm |
| r1 min. | 0,6 mm |
| A | 96 mm |
| da min. | 87 mm |
| Da max. | 118 mm |
| ra max. | 1 mm |
| Weight | 0,867 Kg |
| Basic dynamic load rating (C) | 26,5 kN |
| Basic static load rating (C0) | 24,5 kN |
| (Grease) Lubrication Speed | 20500 r/min |