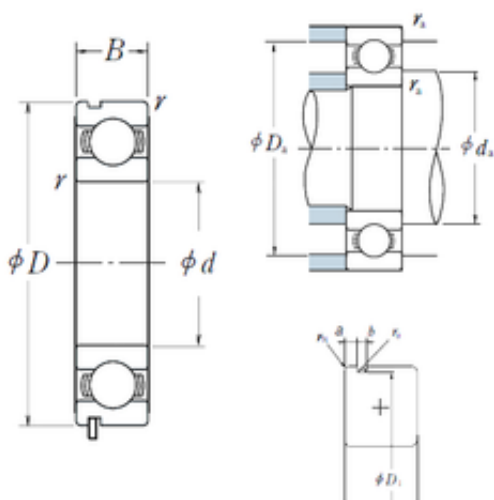




## BEARING USA CORP.

150 mm x 190 mm x 20 mm NSK 6830N deep groove ball bearings

Bearing No. 6830N



6830N Bearing 2D drawings and 3D CAD models

Size	150x190x20 mm
Bore Diameter	150 mm
Outer Diameter	190 mm
Width	20 mm
d	150 mm
D	190 mm
B	20 mm
C	20 mm
rn	0,5 mm
a	3,3 mm
b	1,9 mm
r min.	1,1 mm
r0 max.	0,6 mm
D1	186,8 mm
da min.	156,5 mm
da max	160 mm
Da max.	183,5 mm
ra max.	1 mm
Weight	1,15 Kg
Basic dynamic load rating (C)	47,5 kN
Basic static load rating (C0)	58,5 kN
(Grease) Lubrication Speed	3 200 r/min
(Oil) Lubrication Speed	3 800 r/min
SRI	6.16
hidYobi	6830N



## BEARING USA CORP.

LangID	1
ro	0.6
D_	190
SREX	0.025
B_	20
da min	156.5
hidTable	ecat_NSRDGB
Oil rpm	3800
SRE	6.16
mass	1.15
GRS rpm	3200
ra	1
SRIX	0.025
D_a	183.5
SRIN	-0.025
C0	58.5
fo	17.1
SREN	-0.025
DE_	181.906
Prod_Type3	DGBB_SR_N_OT
DA_	11.906
bomp	0
Z_	24
yobi	6830N
C_conv	47500
ALPHA_	0
SDM_	170
r	1.1
KBRG	6101
SBRG	18
DI_	158.094