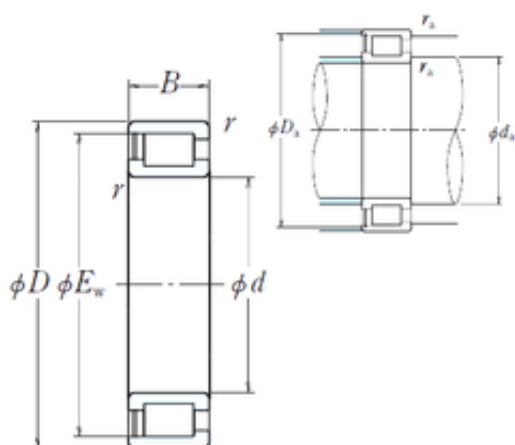




## BEARING USA CORP.

340 mm x 460 mm x 72 mm NSK NCF2968V  
cylindrical roller bearings



Bearing No. NCF2968V

Size	340x430.3x72 mm
Bore Diameter	340 mm
Outer Diameter	430,3 mm
Width	72 mm
d	340 mm
D	460 mm
Ew	430,3 mm
B	72 mm
C	72 mm
r min.	3 mm
Da	438 mm
ra max.	2,5 mm
da	361 mm
Weight	34,1 Kg
Basic dynamic load rating (C)	1190 kN
Category	Bearings
Inventory	0.0
Manufacturer Name	NSK
Minimum Buy Quantity	N/A
Weight / Kilogram	33.913
Product Group	B04144

NCF2968V Bearing 2D drawings and 3D CAD models