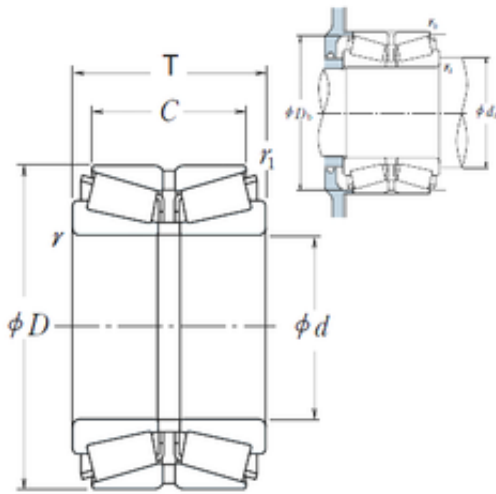




BEARING USA CORP.

NSK HR105KBE42X+L tapered roller bearings



Bearing No. HR105KBE42X+L

Size	105x190x88 mm
Bore Diameter	105 mm
Outer Diameter	190 mm
Width	88 mm
d	105 mm
D	190 mm
T	88 mm
C	70 mm
r min.	3 mm
r1 min.	1 mm
da min.	123 mm
Db min.	179 mm
ra max.	2,5 mm
rb max.	1 mm
Weight	9,76 Kg
Basic dynamic load rating (C)	480 kN
Basic static load rating (C0)	735 kN
(Grease) Lubrication Speed	1500 r/min
(Oil) Lubrication Speed	2000 r/min
Calculation factor (e)	0,42
Calculation factor (Y0)	1,6
Calculation factor (Y2)	2,4

HR105KBE42X+L Bearing 2D drawings and 3D CAD models