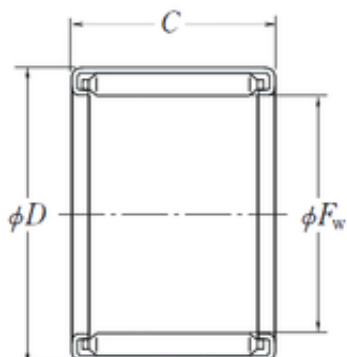




# BEARING USA CORP.

## NSK F-1712 needle roller bearings



Bearing No. F-1712

Size	17x23x12 mm
Bore Diameter	17 mm
Outer Diameter	23 mm
Width	12 mm
Fw	17 mm
D	23 mm
C	12 mm
Weight	0,014 Kg
Basic dynamic load rating (C)	11,3 kN
(Grease) Lubrication Speed	3400 r/min
NB-DI	0
NA-DEX	21.667
hidYobi	F-1712
LangID	1
D_	23
NC-SLR	10.11
B_	12
hidTable	ecat_NSDCNR
mass_k	14
GRS rpm	3400
NC-SLR1	0
C0	17.337
C1	12
Prod_Type3	NRB_DC_F-MF_FC_OT
d	17
NC-RAC	0

F-1712 Bearing 2D drawings and 3D CAD models



## BEARING USA CORP.

Pmax	7750
N-SDM	0
yobi	F-1712
C1_C2	1.8
ND-Z	0
OIL rpm	5600
NC-DA	2.327
N-KBRG	8200
NC-KMS	26