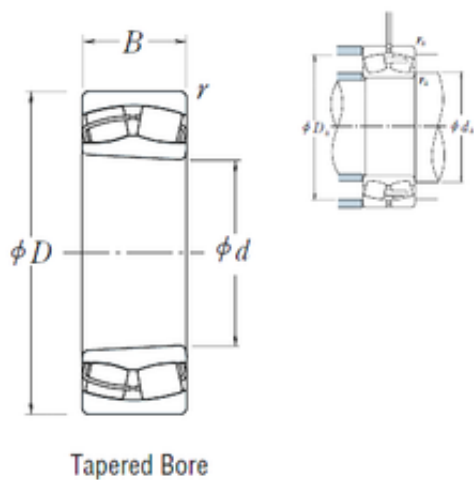




BEARING USA CORP.



140 mm x 210 mm x 53 mm NSK 23028CDKE4
spherical roller bearings

Bearing No. 23028CDKE4

23028CDKE4 Bearing 2D drawings and 3D CAD models

Size	140x210x53 mm
Bore Diameter	140 mm
Outer Diameter	210 mm
Width	53 mm
d	140 mm
D	210 mm
B	53 mm
C	53 mm
r min.	2 mm
da min.	150 mm
da max	157 mm
Da min	190 mm
Da max.	200 mm
ra max.	2 mm
Weight	6,49 Kg
Basic dynamic load rating (C)	420 kN
Basic static load rating (C0)	715 kN
(Grease) Lubrication Speed	1600 r/min
(Oil) Lubrication Speed	1900 r/min
Calculation factor (e)	0,22
Calculation factor (Y0)	2,9
Calculation factor (Y2)	4,5
Category	Spherical Roller Bearings
Inventory	0.0
Manufacturer Name	NSK



BEARING USA CORP.

Minimum Buy Quantity	N/A
Weight / Kilogram	6.3
EAN	0029176027413
Product Group	B04311
Internal Clearance	C0-Medium
Mounting Method	Adapter Mount
Rolling Element	Spherical Roller Bearing
Bore Profile	Tapered
Cage Material	Steel
Enclosure	Open
Number of Rows of Rollers	Double Row
Relubricatable	Yes
Withdrawal Sleeve	AHX3028 (Specify bore)
Inch - Metric	Metric
Long Description	140MM Tapered Bore; 210MM Outside Diameter; 53MM Width; C0-Medium Clearance; Adapter Mount; Double Row of Spherical Roller Bearings; Steel Cage Material; Open Enclosure; Relubricatable; Adapter Part N
Other Features	Order adapter or withdrawal sleeve or nut separately. Others may be available
Category	Spherical Roller Bearing
UNSPSC	31171510
Harmonized Tariff Code	84823080
Noun	Bearing
Keyword String	Spherical
Manufacturer URL	http://www.nskamericas.com
Manufacturer Item Number	23028CDKE4
Weight / LBS	6.3



BEARING USA CORP.

Outside Diameter	8.268 Inch 210 Millimeter
Bore	5.512 Inch 140 Millimeter
Adapter Part Number	SNW3028 H3028 HA3028 HE3028 (Specify Bore) Inch H3028 (Specify bore) Millimeter
Width	2.087 Inch 53 Millimeter
bore diameter:	140 mm
outer ring type:	Not Split
outside diameter:	210 mm
internal clearance:	C0
overall width:	53 mm
lubrication hole type:	Oil Grooves And Holes In Outer Ring
bore type:	Tapered 1:12
cage material:	Steel
Y3	3
hidYobi	23028CDKE4
LangID	1
Y1	2.9
D_	210
Y2	4.5
Macha rpm	0
B_	53
da min	150
hidTable	ecat_NSSPHR
Oil rpm	1900
Y0	2.9
mass	6.49
GRS rpm	1600
ra	2
TSR rpm	2800
C0	715



BEARING USA CORP.

DE_	193.847
X0	1
Prod_Type3	SRB_CTB_TB
X1	1
X2	0.67
SIR	20.5
e	0.22
DA_	17.5
bomp	23028CDKE4
Z_	27
ALP2	30
ALP1	8
ALP3	0
D_a max	200
D_a min	190
yobi	23028CDKE4
ALPHA_	0.148
SDM_	176.539
r	2
KBRG	2321
SBRG	30
DI_	159.232