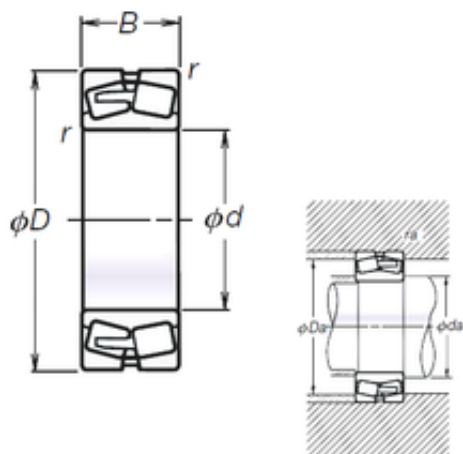




BEARING USA CORP.

180 mm x 320 mm x 112 mm NSK
TL23236CAE4 spherical roller bearings



Bearing No. TL23236CAE4

Size	180x320x112 mm
Bore Diameter	180 mm
Outer Diameter	320 mm
Width	112 mm
d	180 mm
D	320 mm
B	112 mm
C	112 mm
r min.	4 mm
da min.	198 mm
Da min	302 mm
Da max.	274 mm
ra max.	3 mm
Weight	38,5 Kg
Basic dynamic load rating (C)	1300 kN
Basic static load rating (C0)	2110 kN
(Grease) Lubrication Speed	850 r/min
(Oil) Lubrication Speed	1 100 r/min
Calculation factor (e)	0,35
Calculation factor (Y0)	1,9
Calculation factor (Y2)	2,9

TL23236CAE4 Bearing 2D drawings and 3D CAD models