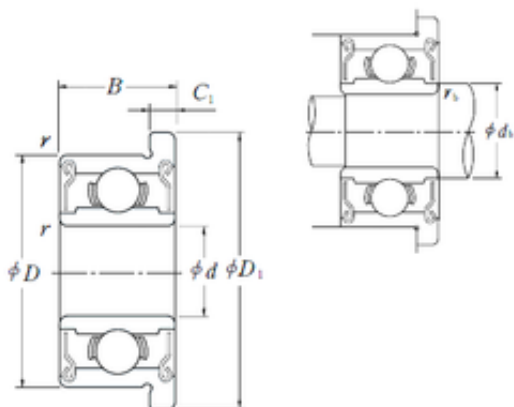




BEARING USA CORP.

3 mm x 13 mm x 5 mm NSK F633ZZ deep groove ball bearings

Bearing No. F633ZZ



F633ZZ Bearing 2D drawings and 3D CAD models

Dimensione	3x15x5 mm
Marchio	NSK
Diametro del foro	3 mm
Diametro esterno	15 mm
Larghezza	5 mm
d	3 mm
D	13 mm
D1	15 mm
B	5 mm
r min.	0,2 mm
C1	1 mm
db max.	6 mm
rb max.	0,2 mm
Peso	3,59 Kg
Carico dinamico di base (C)	1300 kN
Carico statico di base (C0)	485 kN
ISR	1.33
hidYobi	F633ZZ
LangID	1
D_	13
SREX	0.02
C	1.3
B_	5
Tavolo nascosto	ecat_NSESBMF
C0r	49



BEARING USA CORP.

SRE	1.33
rb	0.2
massa	3.59
GRS rpm	36000
SRIX	0.02
Cr	133
SRIN	0
C_1	1
C0	0.485
C2	1
per	12.222
SREN	0
D_1	15
DE_	11.081
Prod_Type3	ESM_MD_WF_ZZ
db	6
DA_	2.381
Z_	7
yobi	F633ZZ
SDM_	8.7
KBRG	614
D2	15
r1	0.2
DI_	6.319
B1	5