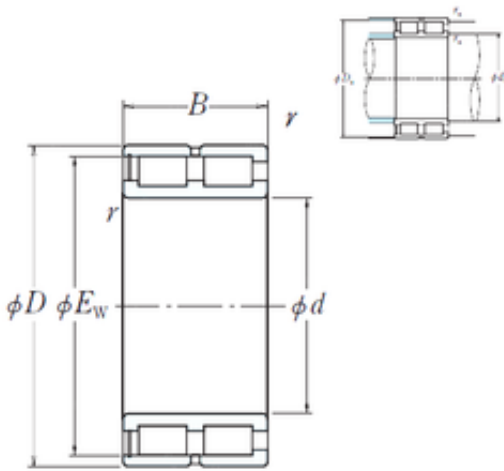




# BEARING USA CORP.

240 mm x 320 mm x 80 mm NSK NNCF4948V cylindrical roller bearings

Bearing No. NNCF4948V



NNCF4948V Bearing 2D drawings and 3D CAD models

Size	240x300x80 mm
Bore Diameter	240 mm
Outer Diameter	300 mm
Width	80 mm
d	240 mm
D	320 mm
Ew	300 mm
B	80 mm
C	80 mm
r min.	2,1 mm
Da	302 mm
ra max.	2 mm
da	257 mm
Weight	18,4 Kg
Basic dynamic load rating (C)	725 kN