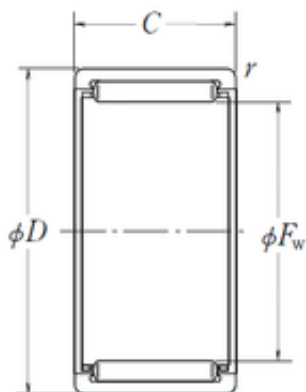




BEARING USA CORP.

NSK RLM3520 needle roller bearings



Bearing No. RLM3520

Size	35x42x20 mm
Bore Diameter	35 mm
Outer Diameter	42 mm
Width	20 mm
Fw	35 mm
D	42 mm
C	20 mm
r min.	0,5 mm
Weight	0,046 Kg
Basic dynamic load rating (C)	22,3 kN
Basic static load rating (C0)	41 kN
(Grease) Lubrication Speed	6300 r/min
hidYobi	RLM3520
LangID	1
D_	42
B_	20
hidTable	ecat_NSMRNR
GRS rpm	6300
ra	0.5
C0	41
C1_	20
DE_	40
SLR	15.8
Prod_Type3	NRB_S_RLM
d	35
DA_	2.5

RLM3520 Bearing 2D drawings and 3D CAD models



BEARING USA CORP.

Z_	27
SI	0
yobi	RLM3520
da_max	38
OIL rpm	10000
SDM_	37.5
r	0.5
KBRG	8312
mass1	0.046