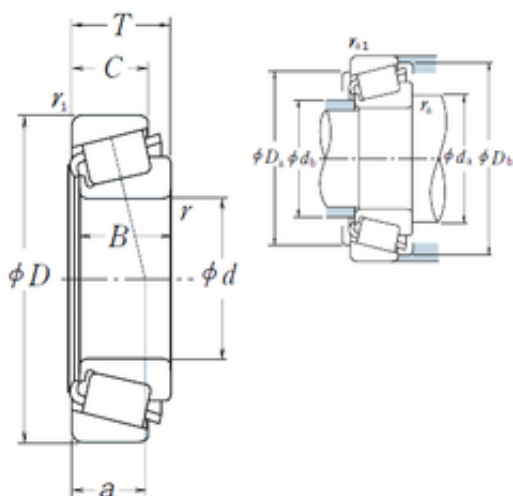




# BEARING USA CORP.

20,638 mm x 49,225 mm x 19,845 mm NSK  
12580/12520 tapered roller bearings

Bearing No. 12580/12520



12580/12520 Bearing 2D drawings and 3D CAD models

Size	20.638x49.225x19.845 mm
Bore Diameter	20,638 mm
Outer Diameter	49,225 mm
Width	19,845 mm
d	20,638 mm
D	49,225 mm
T	19,845 mm
B	19,845 mm
C	15,875 mm
ra1 max.	1,5 mm
a	12,9 mm
r min.	1,5 mm
r1 min.	1,5 mm
Da	42,5 mm
db	26 mm
ra max.	1,5 mm
da	28,5 mm
Db	45,5 mm
Weight	0,181 Kg
Basic dynamic load rating (C)	36 kN
Basic static load rating (C0)	37 kN
(Grease) Lubrication Speed	8000 r/min
(Oil) Lubrication Speed	11000 r/min
Calculation factor (e)	0,32
Calculation factor (Y0)	1



## BEARING USA CORP.

LangID	1
ALP23	0
outer r	1.5
ALP22	18
D_	49.225
ALP21	24
SHOG_yobi	12580R/12520R
RAr	105.28
inner r	1.5
GRS rpm	8000
D_b	45.5
D_a	42.5
DE_	41.386
SLR	13
Prod_Type3	TRBSR_ID_A
BETA_	2
ALPHA_	12.15
SDM_	34.815
DA1	7.348
DA2	6.445
hidYobi	12580/12520
Y1	1.9
B_	19.845
Oil rpm	11000
hidTable	ecat_NSTPRI
Y0	1
inner ra	1.5
outer rb	1.5
C0	37
CUP	0.067
e	0.32
DA_	6.899



## BEARING USA CORP.

BET21	4
BET22	0
BET23	0
Z_	13
C_	15.875
yobi	12580/12520
KBRG	3161
CONE	0.114
DI_	27.98