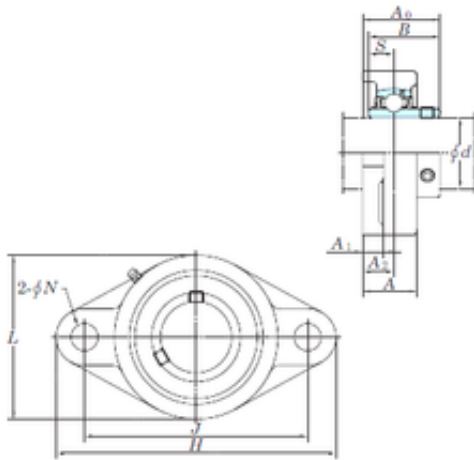




BEARING USA CORP.

KOYO UCFL209E bearing units

Bearing No. UCFL209E



UCFL209E Bearing 2D drawings and 3D CAD models

Bore Diameter	45 mm
d	45 mm
A0	52,2 mm
A	38 mm
A1	15 mm
B	49,2 mm
H	188 mm
J	148,4 mm
L	108 mm
N	15 mm
S	19 mm
A2	22 mm
Weight	1,9 Kg
Basic dynamic load rating (C)	34,1 kN
Basic static load rating (C0)	21,3 kN