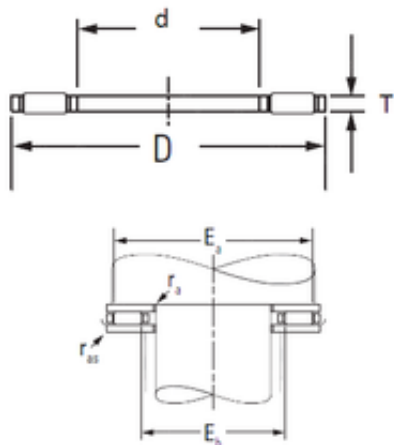




BEARING USA CORP.

KOYO AXK75100 needle roller bearings



Bearing No. AXK75100

Size	75x100x4 mm
Bore Diameter	75 mm
Outer Diameter	100 mm
Width	4 mm
d	75 mm
D	100 mm
T	4 mm
ra max.	0.6 mm
Ea	98.0 mm
Eb	79.0 mm
Weight	0.058 Kg
Basic dynamic load rating (C)	55.1 kN
Basic static load rating (C0)	266 kN
Category	Roller Bearings
Inventory	0.0
Manufacturer Name	KOYO
Minimum Buy Quantity	N/A
Weight / Kilogram	0.051
Product Group	B04144
Bearing No.	AXK75100
Dc1	75
Dc	100
Dw	4
Ca	55.1
C0a	266
Cu	29.4

AXK75100 Bearing 2D drawings and 3D CAD models



BEARING USA CORP.

Oil lub.	4200
ra(max)	0.6
(Refer.)Mass(kg)	0.058
D,d1	100
D1	77
h1	1.00 mm
Washer designation	AS75100
(Refer.)Mass(kg)	0.027
h	5.75 mm
a	1.50 mm
Washer designation	LS75100
(Refer.)Mass(kg)	0.1500
h	5.75 mm
rs(min)	1.00
Washer designation Shaft piloted	WS.81115
Washer designation Housing piloted	GS.81115
(Refer.)Mass(kg)	0.155