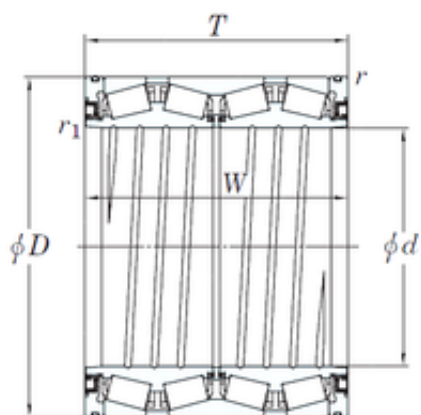




BEARING USA CORP.

KOYO 47TS564127 tapered roller bearings



Bearing No. 47TS564127

Size	280x410x268 mm
Bore Diameter	280 mm
Outer Diameter	410 mm
Width	268 mm
d	280 mm
D	410 mm
T	268 mm
r min.	5,4 mm
r1 min.	1,6 mm
W	268 mm
Weight	118 Kg
Basic dynamic load rating (C)	2240 kN
Basic static load rating (C0)	4510 kN
Calculation factor (e)	0,33
Calculation factor (Y2)	2,03

47TS564127 Bearing 2D drawings and 3D CAD models