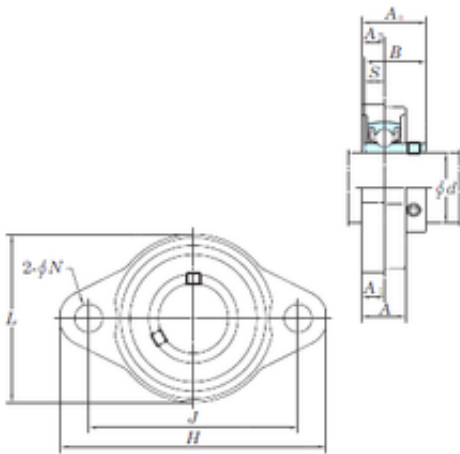




BEARING USA CORP.

KOYO UFL08 bearing units

Bearing No. UFL08



UFL08 Bearing 2D drawings and 3D CAD models

Bore Diameter	8 mm
d	8 mm
A0	12,5 mm
A	8,5 mm
A1	4 mm
B	12 mm
H	48 mm
J	37 mm
L	27 mm
N	4,8 mm
S	3,5 mm
Bolt (G)	M4
A2	4 mm
Weight	0,03 Kg
Basic dynamic load rating (C)	3,27 kN
Basic static load rating (C0)	1,37 kN
Bearing No.	UFL08
Bolt size	M4
Cr	3.27
C0r	1.37
f0	12.4
(Refer.) Unit mass(kg)	0.030