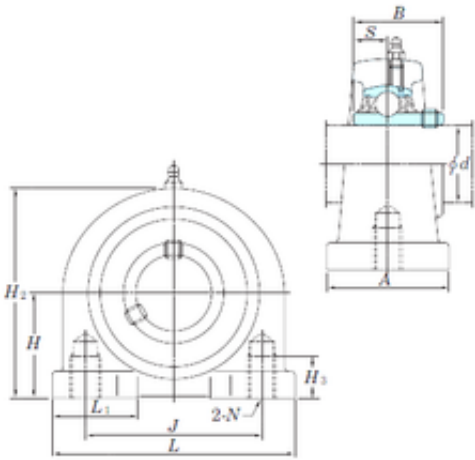




BEARING USA CORP.

KOYO UCPA209-27 bearing units

Bearing No. UCPA209-27



UCPA209-27 Bearing 2D drawings and 3D CAD models

Bore Diameter	42,8625 mm
Width	49,2 mm
d	42,8625 mm
H3	25 mm
A	60 mm
B	49,2 mm
H	54,2 mm
H2	106 mm
J	90 mm
L	120 mm
L1	42 mm
S	19 mm
Bolt (G)	M14 × 2
Weight	2,2 Kg
Basic dynamic load rating (C)	34,1 kN
Basic static load rating (C0)	21,3 kN