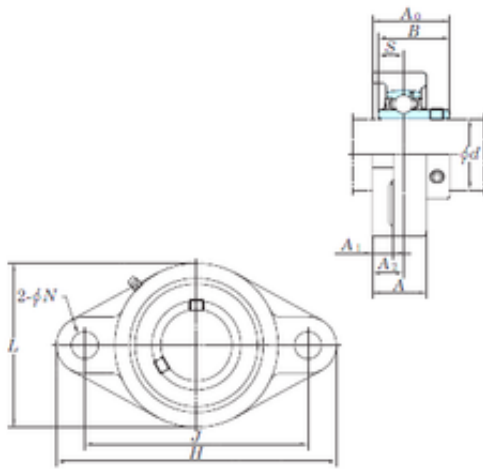




BEARING USA CORP.

KOYO UCFL209-28 bearing units

Bearing No. UCFL209-28



Bore Diameter	44,45 mm
d	44,45 mm
A0	52,2 mm
A	38 mm
A1	15 mm
B	49,2 mm
H	188 mm
J	148 mm
L	108 mm
N	19 mm
S	19 mm
A2	22 mm
Weight	1,9 Kg
Basic static load rating (C0)	34,1 kN

UCFL209-28 Bearing 2D drawings and 3D CAD models