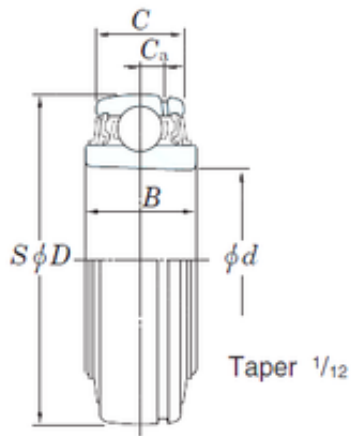




BEARING USA CORP.

40 mm x 90 mm x 35 mm KOYO UK308 deep groove ball bearings



Bearing No. UK308

Size	40x90x35 mm
Bore Diameter	40 mm
Outer Diameter	90 mm
Width	35 mm
d	40 mm
D	90 mm
B	35 mm
C	28 mm
C	8 mm
Weight	0,8 Kg
Basic dynamic load rating (C)	40,7 kN
Basic static load rating (C0)	24 kN

UK308 Bearing 2D drawings and 3D CAD models