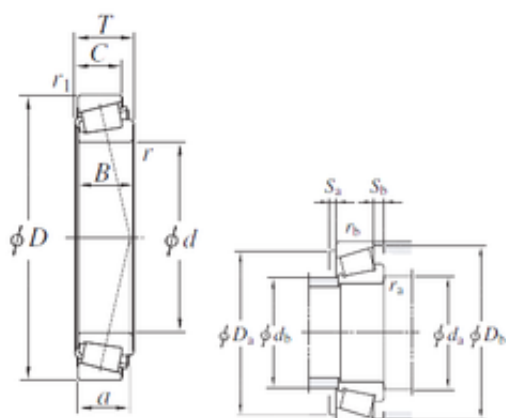




BEARING USA CORP.

193,675 mm x 282,575 mm x 47,625 mm KOYO
87762/87111 tapered roller bearings

Bearing No. 87762/87111



87762/87111 Bearing 2D drawings and 3D CAD models

Size	193.675x282.575x50.8 mm
Bore Diameter	193,675 mm
Outer Diameter	282,575 mm
Width	50,8 mm
d	193,675 mm
D	282,575 mm
T	50,8 mm
B	47,625 mm
C	36,512 mm
a	55,7 mm
r min.	3,6 mm
r1 min.	3,2 mm
da min.	206 mm
Da min	256 mm
Da max.	271 mm
db max.	215 mm
ra max.	3,6 mm
rb max.	3,2 mm
Db	266 mm
Weight	9,32 Kg
Basic dynamic load rating (C)	410 kN
Basic static load rating (C0)	726 kN
Calculation factor (e)	0,42
Calculation factor (Y0)	0,79