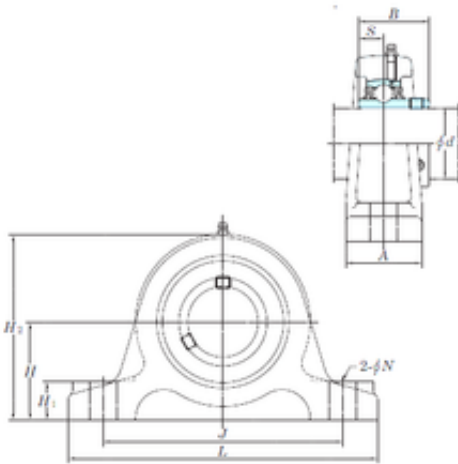




BEARING USA CORP.

KOYO UCIP322 bearing units

Bearing No. UCIP322



UCIP322 Bearing 2D drawings and 3D CAD models

Bore Diameter	110 mm
Width	117 mm
d	110 mm
A	100 mm
B	117 mm
H	170 mm
H1	50 mm
H2	335 mm
J	410 mm
L	490 mm
N	32 mm
S	46 mm
Bolt (G)	M30
Weight	52,4 Kg
Basic dynamic load rating (C)	205 kN
Basic static load rating (C0)	180 kN
Bearing No.	UCIP322
Bolt size	M30
Cr	205
C0r	180
f0	13.2
(Refer.) Unit mass(kg)	52.4
Nipple size	R1/8