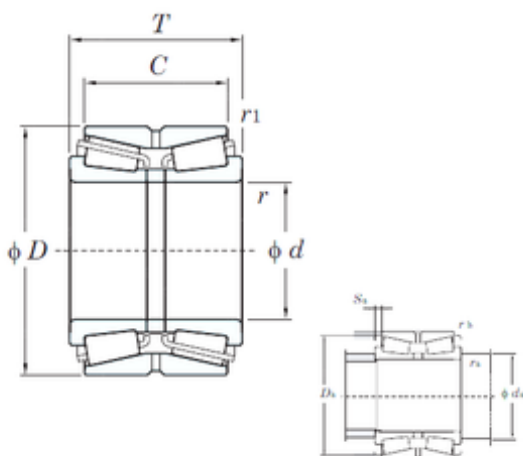




# BEARING USA CORP.



## KOYO 46332A tapered roller bearings

Bearing No. 46332A

Size	160x270x108 mm
Bore Diameter	160 mm
Outer Diameter	270 mm
Width	108 mm
d	160 mm
D	270 mm
T	108 mm
C	86 mm
r min.	3 mm
r1 min.	1 mm
da min.	174 mm
Da min	252 mm
ra max.	2,5 mm
rb max.	1 mm
Weight	23,1 Kg
Basic dynamic load rating (C)	727 kN
Basic static load rating (C0)	1270 kN
(Grease) Lubrication Speed	1000 r/min
(Oil) Lubrication Speed	1400 r/min
Calculation factor (e)	0,35
Calculation factor (Y0)	1,91
Bearing No.	46332A
r(min)	3
r1(min)	1
Cr	871
C0r	1270

46332A Bearing 2D drawings and 3D CAD models



## BEARING USA CORP.

Cu	75.1
Grease lub.	1000
Oil lub.	1400
da(min)	174
Da(min)	264
Sa(min)	11
ra(max)	2.5
rb(max)	1
e	0.35
Y2	1.95
Y3	2.90
Y0	1.91
(Refer.)Mass(kg)	23.1