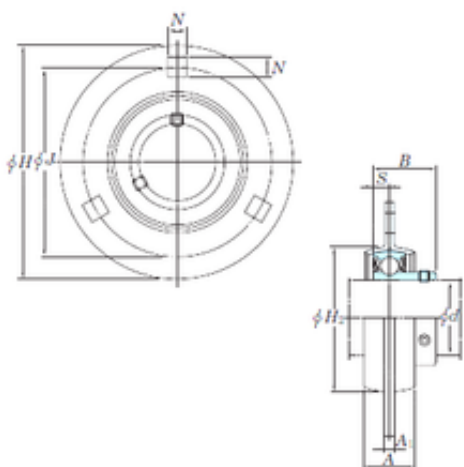




BEARING USA CORP.

KOYO SBPF206 bearing units



Bearing No. SBPF206

Bore Diameter	25,4 mm
Width	30 mm
d	25,4 mm
A	19 mm
A1	5,2 mm
B	30 mm
H	113 mm
H2	71 mm
J	90,5 mm
N	11 mm
S	8 mm
Bolt (G)	M10
Weight	0,62 Kg
Basic dynamic load rating (C)	19,5 kN
Basic static load rating (C0)	11,3 kN
Bearing No.	SBPF206
L	-
Bolt size	M10
Cr	19.5
C0r	11.3
f0	13.9
H1	-
(Refer.)Unit mass(kg)	0.62

SBPF206 Bearing 2D drawings and 3D CAD models