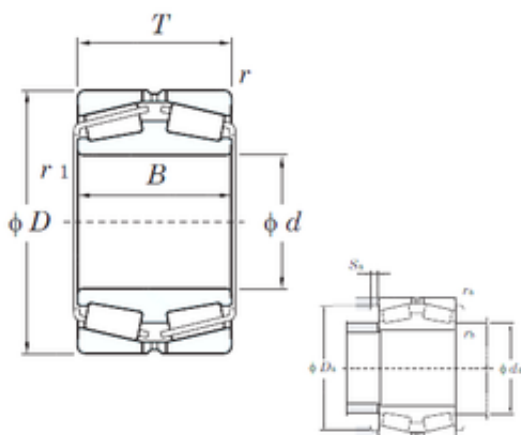




# BEARING USA CORP.

280 mm x 460 mm x 146 mm KOYO 45356 tapered roller bearings

Bearing No. 45356



45356 Bearing 2D drawings and 3D CAD models

Size	280x460x146 mm
Bore Diameter	280 mm
Outer Diameter	460 mm
Width	146 mm
d	280 mm
D	460 mm
T	146 mm
B	146 mm
r min.	5 mm
r1 min.	6 mm
da max	323 mm
Db min.	409 mm
ra max.	4 mm
rb max.	5 mm
Db max	438 mm
Weight	93,1 Kg
Basic dynamic load rating (C)	1930 kN
Basic static load rating (C0)	3320 kN
(Grease) Lubrication Speed	520 r/min
(Oil) Lubrication Speed	700 r/min
Calculation factor (e)	0,39
Calculation factor (Y0)	1,7
Bearing No.	45356
r(min)	5
r1(min)	6



## BEARING USA CORP.

Cr	2310
C0r	3320
Cu	175
Grease lub.	520
Oil lub.	700
da(max)	323
Da(max)	438
Da(min)	409
Sa(min)	6
ra(max)	4
rb(max)	5
e	0.39
Y2	1.74
Y3	2.59
Y0	1.70
(Refer.) Mass(kg)	93.1