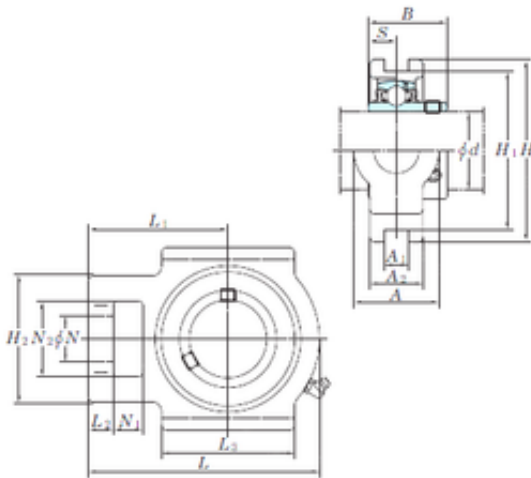




# BEARING USA CORP.

## KOYO UCTX15 bearing units

Bearing No. UCTX15



UCTX15 Bearing 2D drawings and 3D CAD models

|                               |         |
|-------------------------------|---------|
| Bore Diameter                 | 75 mm   |
| d                             | 75 mm   |
| L2                            | 21 mm   |
| L3                            | 121 mm  |
| A                             | 70 mm   |
| A1                            | 28 mm   |
| B                             | 82,6 mm |
| H                             | 184 mm  |
| H1                            | 165 mm  |
| H2                            | 111 mm  |
| L                             | 235 mm  |
| L1                            | 140 mm  |
| N                             | 41 mm   |
| N1                            | 32 mm   |
| S                             | 33,3 mm |
| A2                            | 48 mm   |
| N2                            | 70 mm   |
| Weight                        | 8,7 Kg  |
| Basic dynamic load rating (C) | 72,7 kN |
| Basic static load rating (C0) | 53 kN   |