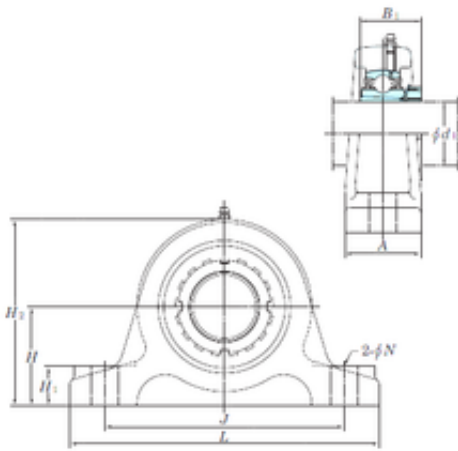




BEARING USA CORP.

KOYO UKIP315 bearing units

Bearing No. UKIP315



UKIP315 Bearing 2D drawings and 3D CAD models

Bore Diameter	65 mm
Width	120 mm
d	65 mm
A	75 mm
B1	73 mm
H	120 mm
H1	35 mm
H2	230 mm
J	280 mm
L	340 mm
N	25 mm
Bolt (G)	M22
Weight	17,7 Kg
Basic dynamic load rating (C)	113 kN
Basic static load rating (C0)	77,2 kN