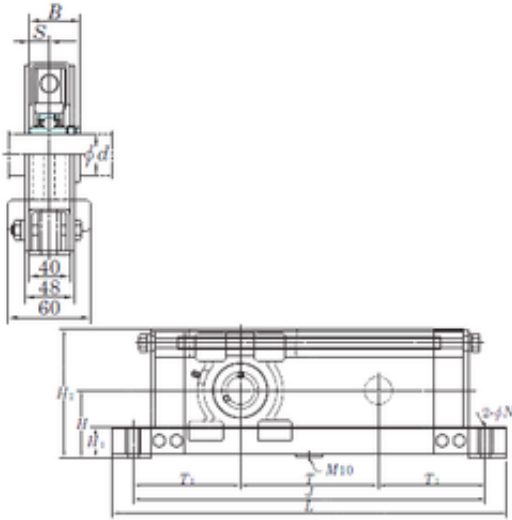




BEARING USA CORP.

KOYO UCTL208-400 bearing units

Bearing No. UCTL208-400



UCTL208-400 Bearing 2D drawings and 3D CAD models

Bore Diameter	40 mm
Width	49,2 mm
d	40 mm
T1	155 mm
B	49,2 mm
H	97 mm
H1	44 mm
H2	186 mm
J	710 mm
L	770 mm
N	15 mm
S	19 mm
T	400 mm
Bolt (G)	M12
Weight	10,5 Kg
Basic dynamic load rating (C)	29,1 kN
Basic static load rating (C0)	17,8 kN