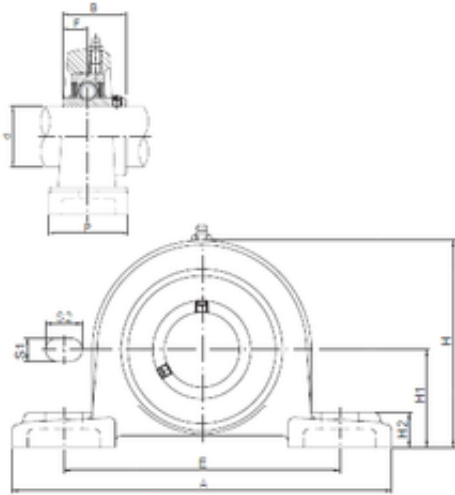




# BEARING USA CORP.

## ISO UCP315 bearing units

Bearing No. UCP315



UCP315 Bearing 2D drawings and 3D CAD models

Bore Diameter	75 mm
d	75 mm
S1	27 mm
P	100 mm
A	380 mm
B	82 mm
E	290 mm
F	32 mm
H	198 mm
H1	100 mm
H2	35 mm
S2	40 mm
Bolt (G)	M22