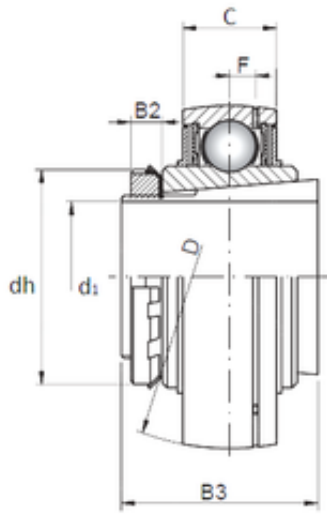




BEARING USA CORP.

60 mm x 110 mm x 38 mm ISO UK212+H2312
deep groove ball bearings



Bearing No. UK212+H2312

Size	60x110x38 mm
Bore Diameter	60 mm
Outer Diameter	110 mm
Width	38 mm
d	60 mm
d1	55 mm
D	110 mm
B	38 mm
C	27 mm
B2	13 mm
B3	62 mm
F	7,6 mm
dh	80 mm

UK212+H2312 Bearing 2D drawings and 3D CAD models