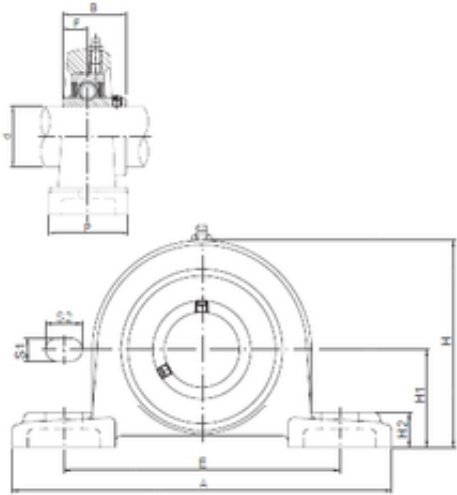




BEARING USA CORP.

ISO UCP215 bearing units



Bearing No. UCP215

Bore Diameter	75 mm
d	75 mm
S1	25 mm
P	74 mm
A	275 mm
B	77,8 mm
E	217 mm
F	33,3 mm
H	162 mm
H1	82,6 mm
H2	28 mm
S2	28 mm
Bolt (G)	M20

UCP215 Bearing 2D drawings and 3D CAD models