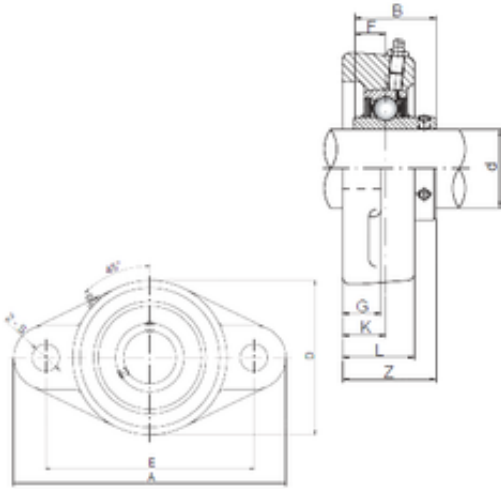




BEARING USA CORP.

40 mm x 100 mm x 49,2 mm ISO UCFL208
bearing units

Bearing No. UCFL208



UCFL208 Bearing 2D drawings and 3D CAD models

Bore Diameter	40 mm
d	40 mm
B	49,2 mm
Z	51,2 mm
A	175 mm
D	100 mm
E	144 mm
F	19 mm
G	14 mm
K	21 mm
L	36 mm
S	16 mm
Bolt (G)	M14