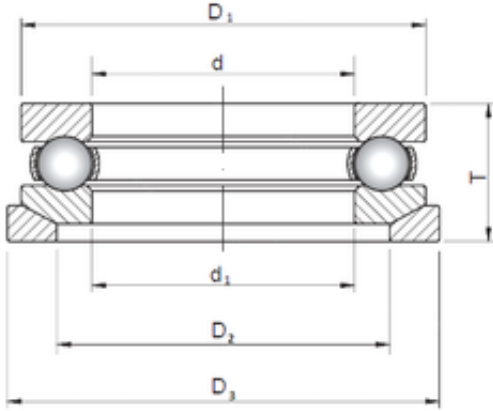




BEARING USA CORP.

ISO 53324U+U324 thrust ball bearings

Bearing No. 53324U+U324



Bore Diameter	120 mm
Outer Diameter	205 mm
d	120 mm
d1	123 mm
D	205 mm
D1	210 mm
T	80 mm
D2	165 mm
D3	220 mm

53324U+U324 Bearing 2D drawings and 3D CAD models